

TC-NH6333IE-CP

H.265 3MP 33x POE IR PTZ

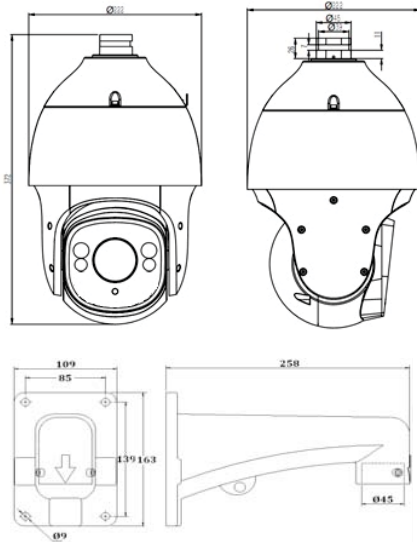
Tiandy



Features

- H.265 Codec
- Up to 2048×1536 High Resolution
- Smart IR, IR Range: 150m
- Speed Max 400°/s, -16~90° Tilt Angle
- Optical Zoom: 33x, Digital Zoom: 16x
- Tripwire/Perimeter Detection
- Security Password Protection
- On-board Storage, MicroSD Card Slot, up to 128GB
- TVS 6000V, Lightning/Surge 4000V Protection
- Temperature: -40°C-70°C, IP66, POE+
- CE, FCC, RoHS

Dimensions



Dimensions(Optional)

Model: DF20



DF21



Camera	
Image Sensor	1/2.8" Sony Exmor Scan CMOS
Effective Pixels	2048(H)x1536(V)
Signal System	PAL/NTSC
Minimum Illumination	Color: 0.01Lux@(F1.6, 50 IRE, ICR on) BW: 0.02Lux@(F1.6, 50 IRE, ICR on) 0 lux with IR
White Balance	Auto/ ATW/ Manual
AGC	Auto/Manual
S/N Ratio	> 55dB
BLC	Y
HLC	Y
Smart Defog	Y
WDR	100dB
Digital Noise Reduction	3D DNR
Exposure Mode	Auto/ Manual
Shutter Time	1/1s ~1/100000s
Day& Night	IR Cut Filter with Auto Switch
Digital Zoom	16x
Privacy Masking	24 Dynamic Privacy Mask Programmable; Optional Multiple Colors
Auto Focus	Auto/ Semi-automatic/ Manual
OSD	16×16,32×32,24×24,48×48,64×64 Character Size / Time/Date/Week/Character Superposition in 5 Regions PTZ Angle Superposition
Lens	
Focal Length	4.5-152mm, 33x
Zoom Speed	Approx.5s(Optical Wide-Tele)
Angle of View	60.8°(w)~2.08°(t)
Minimum Working Distance	1-1.5m(Wide-Tele)
Aperture Range	F1.6-F4.8
Pan & Tilt	
Pan Range	360° Endless
Pan Speed	Pan Manual Speed: 0.1°-180°/s Pan Preset Speed: 400°/s
Preset Accuracy	±0.2°
Tilt Range	-16°-90° (Auto Flip)
Tilt Speed	Tilt Manual Speed: 0.1°-120°/s Tilt Preset Speed: 180°/s
Proportional Zoom	Rotation Speed Can Be Adjusted Automatically According to Zoom Multiples
3D Position	Y
Number of Preset	500
Scan	8
Cruise	8, up to 32 Presets per Cruise
Pattern	8, Each One With 600s Memory or 300 Orders
Power loss recovery	Y
Guard Action	Preset/ Cruise/ Pattern/ Scan
PTZ Position Display	Y
Freeze Frame	Y
RS-485 Protocols	PTZ_PELCO_D , PTZ_PELCO_P , PTZ_TC615_P , DOME_PELCO_D , DOME_PELCO_P , DOME_PLUS
Infrared	
IR Irradiation Distance	150m
IR Irradiation Angle	Adjustable by Zoom
Interface	
Audio Input	1-ch Mic in(Line in Interface) / Line Input 2-2.4V(p-p); Output Impedance 1KΩ, ±10%
Audio Output	1-ch Line level, Impedance: 600Ω
Communication Interface	1-ch RJ45 10M/ 100M Ethernet Interface and
Alarm Input	1-ch
Alarm Output	1-ch
On-board Storage	MicroSD Card Slot, up to 128GB
BNC Output & RS485	N/A
Extension	N/A
Network	
Ethernet	10Base-T/100Base-TX RJ45 Connector
Max. Image Resolution	2048×1536
Main Stream	2048×1536@25/30fps; 1920×1080@25/30fps; 1920×1080@50/60fps; 1280×960@25/30fps; 1280×960@50/60fps; 1280×720@25/30fps; 1280×720@50/60fps; 640×480@25/30fps; 640×480@50/60fps 704×576@25/30fps; 704×576@50/60fps; 704×480@25/30fps; 704×480@50/60fps
Sub Stream	704×576@25/30fps; 704×480@25/30fps; 704×288@25/30fps; 704×240@25/30fps; 352×240@25/30fps; 352×288@25/30fps;
Third Stream	1280×720@25/30fps; 640×480@25/30fps; 704×576@25/30fps; 704×480@25/30fps; 704×576@25/30fps; 704×480@25/30fps; 704×288@25/30fps; 704×240@25/30fps; 352×240@25/30fps; 352×288@25/30fps;
Image Compression	H.265/MJPEG/H.264 Encoding with Baseline/Main/High Profile
ROI Encoding	7 Dynamic Areas for Both Main and Sub Stream
Audio Compression	G711A/G711U/ADPCM/AAC
Protocols	IPV4/IPV6/ HTTP/ HTTPS/ 802.1x/ Qos/ FTP/ SMTP/ UPnP/ SNMP/ DNS/ DDNS/ NTP/ RTSP/ RTP/ TCP/ UDP/ IGMP/ ICMP/ DHCP/ PPPoE
Remote Connection	10 Users Access at the Same Time
User Permission	Up to 32 Users, 4 Levels
Security Measures	User Authentication (ID and PW), Host Authentication (MAC Address) IP Address Filtering
Web Browser	IE8, IE9, IE10, IE11, Chrome30, Firefox24
System Compatibility	ONVIF (Profile S), SDK, CGI
Advance	
Video Analytics(IVA)	Tripwire, Perimeter, Counting, Loitering/Crowd/Parking Detection, Missing/Foreign Object/Motion Detection
Intelligent Alarm	Cover Alarm, Port Alarm, Network Disable Alarm, IP Conflict, MAC Conflict Detection
General	
Language	English, Spanish, Korean, Italian, Turkish, Thai, Russian, Traditional Chinese.
Operating Conditions	-40°C-70°C, 0 ~ 95% RHG
Power Supply	DC12V, POE+
Power Consumption	12.05W(IR OFF)/21.18W(IR ON)
Circuit Protection	TVS 6000V, Lightning/ Surge 4000V Protection
Impact Protection	IP66
Wiper	N/A
IR LEDs	4pcs
Dimensions	372mm×222mm×222mm
Weight	5KG (IP PTZ Only), 8.45KG (with Packing Box)

* The latest product information / specification can be found at <http://en.tiandy.com/>



Tiandy Digital Technology Co., Ltd. | en.tiandy.com

Address: No.8, Huake Rd2, Binhai Hi-Tech Industry(Huayuan), Tianjin 300384 China

Tel: +86-22-58596037 Email: sales@tiandy.com

