

TC-NC252

2MP Vandalproof Mini IR Dome Camera

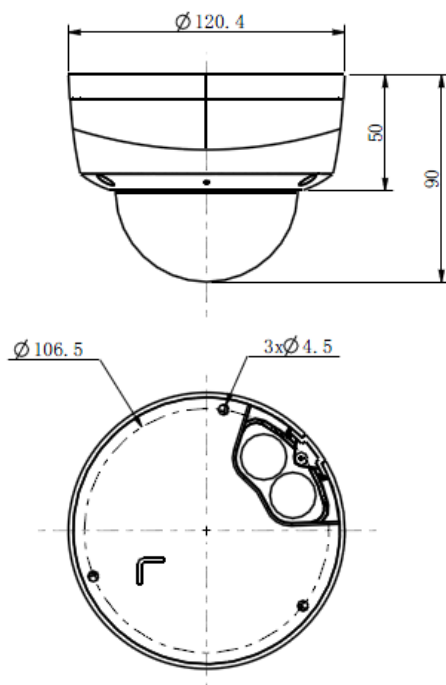
Tiandy



Features

- Up to 1920X1080@30fps
- Cable Free Design
- H.264/M-JPEG Codec
- Smart IR, IR Range: 20m
- VCA Tripwire/Perimeter
- Interface Built-in Mic, Audio I/O 1/0, MicroSD Card Slot, up to 128GB, Reset Button
- TVS 6000V, Lightning/Surge Protection: (Power 2000V, RJ45 1000V), IP66, IK10
- Operating Conditions -35°C ~ 60°C (IR OFF) / -35°C ~ 40°C (IR ON), 0~95% RHG
- Case Material Metal + Plastic
- CE, FCC, RoHS

Dimensions



| Camera | |
|-----------------------|--|
| Image Sensor | 1/2.7" CMOS |
| Core Processor | ARM9 Architecture |
| Operating System | Embedded Linux |
| Signal System | PAL/NTSC |
| Min. Illumination | Color: 0.5 Lux @(F1.2, AGC ON) B/W: 0.25Lux @(F1.2, AGC ON); 0 Lux with IR |
| Shutter Time | 1s to 1/100,000s |
| Lens | 2.8mm, Angle of View: 109.3° |
| Lens Mount | φ12 |
| Auto Iris | N/A |
| Adjustment Range | Pan: 0° - 355°, Tilt: 0° - 75°, Rotation: 0° - 355° |
| Day & Night | Dual IR Cut Filter with Auto Switch |
| WDR | 100 dB |
| DNR | 3D DNR |
| S/N Ratio | >60dB |
| Compression Standard | |
| Video Compression | H.264/M-JPEG |
| Video Bit Rate | 32Kbps~16Mbps |
| Audio Compression | G.711/G.711U/ADPCM |
| Audio Bit Rate | G711 8KHz, 64kbps ADPCM 8KHz, 32kbps |
| Image | |
| Max. Image Resolution | 1920x1080 |
| Frame Rate | 50Hz 25fps (1920 × 1080), 25fps (1280 × 720) 60Hz 30fps (1920 × 1080), 30fps (1280 × 720) Mainstream: 1080P (1920*1080) |
| Triple Stream | Substream: D1 (704*576) 3rd stream: CIF (352*288) |
| Image Settings | Brightness, Saturation, Contrast, Sharpness, Image Enhancement Flip Mode Adjustable by Client Software or Web Browser |
| HLC | Y |
| Smart Defog | Y |
| Corridor Format | Y, Available for 720P and Above |
| EIS | Y |
| ROI | 4 Zones |
| Privacy Mask | 4 Zones |
| Picture Overlay | 200 × 200, BMP 24bit, Zone Configurable |
| OSD | Size: 16×16, 32×32, 24×24, 48×48, 64×64, 96×96 Letters, Week, Date, Time, Total 5 Regions |
| Network | |
| Browser | IE8/Firefox24 or above |
| Network Storage | FTP |
| NTP | Y |
| ANR | Y |
| Video Analytics (VCA) | Tripwire/Perimeter |
| Alarm Trigger | Motion Detection/IP Conflict/MAC Conflict/Port Alarm/Mask Alarm |
| Protocols | IPV4/IPV6/HTTP/802.1x/FTP/SMTP/UPnP/SNMP |
| User Permission | DNS/DDNS/NTP/RTSP/TCP/UDP/DHCP/PPPoE |
| Remote Connection | 4 Level/8 Users |
| System Compatibility | 3 Users Access at the Same Time |
| Interface | ONVIF (Profile S), SDK, CGI |
| Interface | |
| Audio Input | 1-ch, Mic in |
| Audio Output | N/A |
| Ethernet | 1-ch RJ45 10M/100M |
| Alarm Input | N/A |
| Alarm Output | N/A |
| Video Output | N/A |
| On-board Storage | MicroSD Card Slot, up to 128GB |
| Reset | Y |
| General | |
| Language | English, Spanish, Korean, Italian, Turkish, Thai, Russian Polish, French, Traditional Chinese, Simplified Chinese |
| Operating Conditions | -35°C ~ 60°C (IR OFF) / -35°C ~ 40°C (IR ON), 0~95% RHG |
| Power Supply | DC 12 V ± 10%, PoE (802.3af) |
| Power Consumption | Max. 5W (IR OFF) (ICR Instant Switch 10W) Max. 7W (IR ON) |
| Circuit Protection | TVS 6000V, Lightning/Surge Protection: (Power 2000V, RJ45 1000V) |
| Impact Protection | IP66, IK10 |
| IR Range | 20m |
| IR LEDs | 8pcs Array |
| Dimensions | 120mm × 120mm × 90mm |
| Weight | 0.7KG (IP Camera Only); 0.9KG (with Packing Box) |
| S+265: | Tiandy enhanced H.265 codec |
| ANR: | Auto store video in SD card when NVR disconnected, and upload video to NVR when resumed connection (Only Support Tiandy ANR NVR) |

* The latest product information / specification can be found at <http://en.tiandy.com/>

CE FC RoHS

Tiandy Digital Technology Co., Ltd. | en.tiandy.com

Address: No.8, Huake Rd2, Binhai Hi-Tech Industry (Huayuan), Tianjin 300384 China

Tel: +86-22-58596037 Email: sales@tiandy.com

